

**DO NOT SCALE: IF IN DOUBT ASK  
COPYRIGHT SIGMA SHEETMETAL**

# PARAPET SADDLE FLASHING

MATERIAL TYPE  
.55 GALVANISED  
.55 STAINLESS  
.55 ALUMINIUM

## MEASUREMENTS

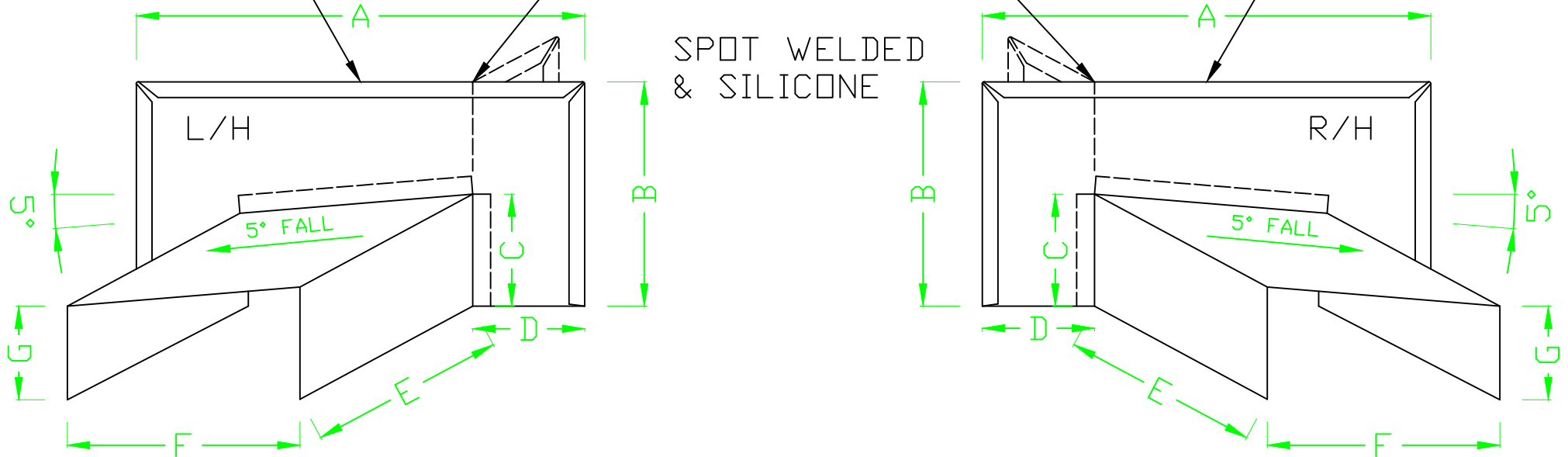
A=  
B=  
C=  
D=  
E=  
F=  
G=

HEMMED 7MM  
TOP & SIDES  
OPTIONAL

CAN BE FOLDED  
BACK AT 90°

HEMMED 7MM  
TOP & SIDES  
OPTIONAL

SPOT WELDED  
& SILICONE



				<p>ALL DIMENSIONS IN MM TOLERANCES : WHOLE MM = +- .5mm ONE D.P = +- .1mm TWO D.P = +- .05mm ANGULAR = +- .5 deg</p>		<p>Sigma Sheetmetal Products Ltd 16A Hill St Onehunga P.O.Box 13013 Onehunga, Auckland PH (09) 6363657 Fax (09) 6363658 Email sigmasheet@extra.co.nz</p>		<p>SCALE NTS DATE 16-Mar-15 DRAWN BY DC</p>		<p>TITLE <b>PARAPET SADDLE FLASHING</b></p>		<p>PART NO.  DRAWING NO.</p>	
A	ORIGINAL	DAVE	DATE	<p>NOTE: Remove all Burrs and Sharp Edges PROJECTION: Third Angle Projection Unless Stated Otherwise</p>									
REV	REVISION	NAME	DATE										